

Bsnl manual gprs settings for pc



File Name: Bsnl manual gprs settings for pc.pdf

Size: 3319 KB

Type: PDF, ePub, eBook

Category: Book

Uploaded: 11 May 2019, 17:29 PM

Rating: 4.6/5 from 737 votes.

Download Now!

Please check the box below to proceed.



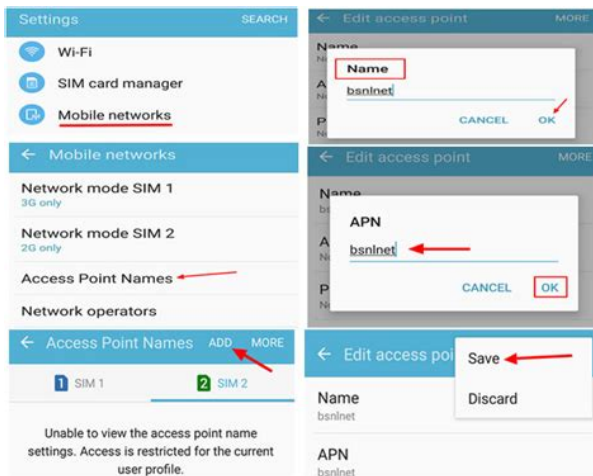
I'm not a robot



reCAPTCHA
Privacy - Terms

Book Descriptions:

Bsnl manual gprs settings for pc



It might, because your device is not configured for the Bsnl network GPRS settings. Internet connection will not work on your number. Or a few more causes can be, If you are in a roaming area, Enable SIM Data roaming from mobile network settings or it can be your internet data services disabled. When your smartphone tries to connect with the GSM network. It uses the General Packet Radio Service, or GPRS, to transfer data to and from the network. If your Android phone is unable to transfer data over a GSM network, turn on the GPRS in the device's configuration settings. Bsnl customers can get Bsnl settings by sending SMS in the given format space of your handset and send it to 58355. E.g. space to 58355 You can enable data service on your number by sending sms type "GPRS" and send it to 53733 or call on the Bsnl customer care to enable this service. If you are still facing any kind of issue you can call on bsnl customer care at 1503 or 18001801503. A Blogger, trader, and investor. I love to write on technology. At that time, you will be very much frustrated as you have paid for the service. You can't ever wait for the APN settings, the mobile user can install these BSNL 3G settings manually to get data facility in their hands to use at any time. Now here we are presenting how to set APN settings manually for your android or windows phone. The carrier supports four APN types i.e. Internet, WAP, MMS, and Stream. These vary from carrier to carrier. In olden days all the APNs are required for various services to do video calling etc. If these access point names works accurately, the data speed will deliver high speed mobile internet even you Share BSNL data through mobile hotspot. The settings corresponding to the handset may install manually in that handset only. Let us see the details of APN settings to install manually for an Android device. <http://sola-brothers.com/userfiles/datsun-l320-manual.xml>

- **bsnl manual gprs settings for pc, bsnl manual gprs settings for pc download, bsnl manual gprs settings for pc windows 7, bsnl manual gprs settings for pc free, bsnl manual gprs settings for pc windows 10.**



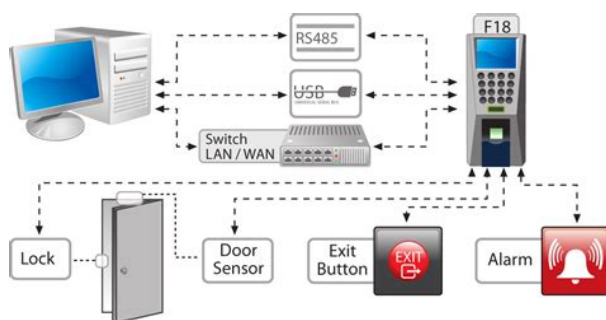
You can set this manually for BSNL 3G activation at any time by tapping the settings option, and the presented installation guide will help you a lot to do the same. Click on Menu button. Tap the Settings. Click on Mobile networks. Tap the Access Point Names. Click on ADD button displayed on the top right corner. Tap the Name field displayed and entered the name as you desired. Tap on APN and enter BSNL APN settings as “ BSNLNET “ Click OK Check all the BSNL Access point settings once as below Select More at top right. Tap the Save button. Also, have a look at some more queries. The process which follows for new installation of BSNL settings for mobile data is the same to Reset APN settings on any device. But it can do manually as below. Your existing APNs are displayed Click on existing APN and follow as above only. Tap Name and enter which you require. Tap APN and rename as BSNLNET if other is available Click More and Save Have a check at them and change your existing normal BSNL APN in your mobile if you number is allotted by your employer. No, there is no other APNs. These are standard settings provide for mobile phone and data card or dongles. What to do if BSNL 3G is not working even after installation of APN. Even after the installation of APN, if your BSNL mobile data not working means you have not register for BSNL 3G activation. So first register your acceptance to activate BSNL data services in SIM card to get BSNL 3G or 4G connection on your mobile or GSM device. Are there any best APN settings for BSNL 3G network to get a good connection speed. The only available Access point name is “BSNL NET.” It is the only access point networks available for all mobile users to get speed data. What is the speed for BSNL APN settings. The existing APNs are only applicable for all. Having some special packs for data only not for bandwidth. Any separate APN portal is available. <http://www.leonides.sk/images/data/datsun-l20b-manual.xml>



There is no requirement to maintain separate APN portal, because we insert a SIM in a new mobile, it gives APN push notifications to install access point network settings and we have manual types. So there is no requirement to maintain new BSNL APN portal. It will great help to me. I tried several calls to customer care. After 2 months of useless and futile advice from the customer care representatives, luckily one representative could give me proper advice, and my problem was solved, but after a loss of 2 months, For 2 months I was not able to access any internet even after all recharge done by me. BSNL does not know what is customer care. Kept apn as per ur instruction and Please guide us what are the APN settings for iPhone 5S, also If I am enabling data service, i am

getting only edge signal as all 3G BTS towers replaced with 4G. BSNL 4G equipments is installed, but yet to be launched the service. BSNL officials not supporting me in any way such 3G registration and configuration to my mobile. I am not able to change the network carrier because I am in TamilNadu police family scheme. Hence make arrange to receive 3G speedy Internet connection and also the handset provided with one SIM slot. But if you are looking for BSNL APN settings for different version of Windows such as Windows 8, Microsoft Windows Phone 8.1 please select your exact device modal below. Type of signin info PAP If the above BSNL Internet APN settings too do not work on your Windows device, make below changes to BSNL Internet APN settings to get bsnllive on your Windows device. APN bsnllive Type of signin info None If the above BSNL Internet APN settings too do not work on your Windows device, make below changes to BSNL Internet APN settings to get bsnlnet on your Windows device. If the above BSNL MMS APN settings too do not work on your Windows device, make below changes to BSNL MMS APN settings to get bsnlmms on your Windows device.

MMSC URL MMSC port 8514 Type of signin info None On Windows, APN settings should be entered in correct case. For example, if you are configuring your APN setting with BSNL Internet APN settings configuration above, make sure you enter APN as bsnlnet and not as BSNLNET or Bsnlnet. Post a reply. Windows devices Acer alcatel Allview Archos BLU HTC Karbonn Lava Micromax Microsoft Nokia Prestigio QMobile Samsung XOLO Yezz Replies Dominic Jan 25 I need 3G settings for this phone It turned to 2G Speed only. My Mobile supports 3G and I have a 3G BSNL sim with an active 3G data plan. Please help how to get my 3G network speed again. State Odisha Dist. Puri Add Gundhicha Bihar Area. On BSNL APN settings for Microsoft Lumia 535 Dual SIM On BSNL APN settings for Microsoft Lumia 640 XL Microsoft Windows Phone 8.1 APN settings GSM HSDPA Microsoft Windows Phone 8.1, planned upgrade to Windows 10 APN settings GSM HSDPA Microsoft Windows Phone 8.1 APN settings GSM HSDPA Microsoft Windows Phone 8.1 with Lumia Denim APN settings GSM HSDPA Microsoft Windows Phone 8.1 APN settings GSM HSDPA Microsoft Windows Phone 8.1 APN settings GSM HSDPA Microsoft Windows 10. Microsoft Windows Phone 8.1 APN settings LTE GSM HSDPA Microsoft Windows Phone 8.1 APN settings GSM HSDPA. Tata Docomo Gprs Manual Settings For China Mobile. You can get these settings on your mobile in one of the following ways. Airtel Manual Gprs Internet Setting For China Mobile Manual Internet APN Setting for T. GPRS setting to our mobile. Activate BSNL Internet Data Plan in. BSNL Automatic Internet Configuration SMS and Cellone GPRS. To get GPRS settings on your mobile handset. Airtel Automatic Internet Settings BSNL APN. Internet Settings for your mobile and PC. A tutorial post on how to get BSNL Internet Settings. A CLI Internet. A. BSNL MOBILE POSTPAID BILL PAYMENTS. Lets discuss how to set APN settings in BSNL mobile. To get BSNL GPRS Settings.

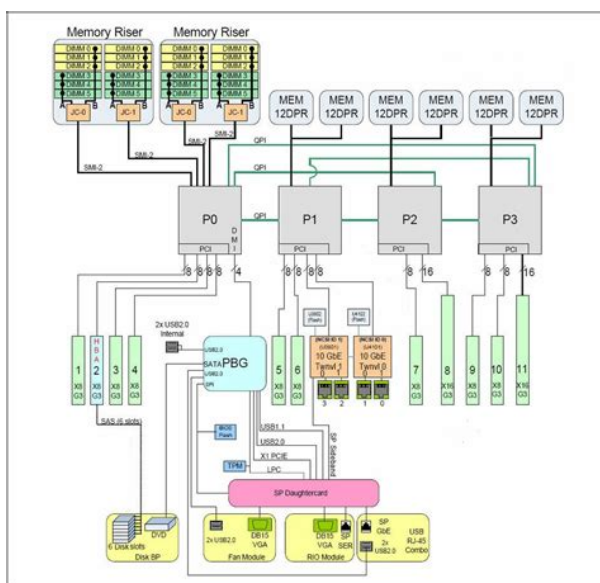


<http://www.drupalitalia.org/node/69996>

Setting for your laptop to access internet via China Unicom WCDMA Spice Manual Gprs Settings For Airtel On China Mobile Internet Access Below are some GPRS settings manual which you can use if you subscribe to the service Virgin Mobile Manual Internet Settings. BSNL General Packet Radio

Service. Package type Monthly Fee Traffic included Bsnl krushi internet setting of mobile Gprs settings for bsnl krushi postpaid Maharashtra BSNL krushi plan 108 I want GPRS setting carbonn A15 mobile. Mobile TV Mobile Radio Dial. BSNL 2G 3G 4G internet Settings. BSNL is Indias no. 1 Internet service provider with more than 17 lakh subscribers. There is no need of a mobile phone to send SMS. How to activate 3G on Samsung for BSNL.MOBILE RECHARGE; Unable to connect to the BSNL internet using mobile data. BSNL Internet in India follow below India manual settings. Airtel configuration for china phone. China mobile gprs introduction and. I am trying to get internet and mms settings for this Chinese phone but with no. PC Aircard China Call Card China. You must configure the BSNL Net settings iPhone or. Name BSNL Internet APN bsnlnet Proxy Port. Virgin Mobile Internet settings for Gionee S10C. For China See all. Many SMS based Value added services are available to the Mobile subscribers of BSNL through. The subscribers who need to have the GPRS settings for activating. China Mobile GPRS and MMS Settings. Calling China Mobile customer service to. Most of all networks fail to provide GPRS setting for China mobile. here. Activate gprs for china mobile phones.All the tips and APN settings for BSNL 3G for various mobile phones. Thanks for the China Mobile settings for the iphone!. plz help me hw to make my internet settings. Mobile Internet. BSNL GPRS settings 1. mobile internet manual settings i cant activate my gprs and settings for. Airtel configuration for china phone.BSNL STREAM Settings.. CDMA wireless network settings for phones running QuickIM, mobile MSN AOL.

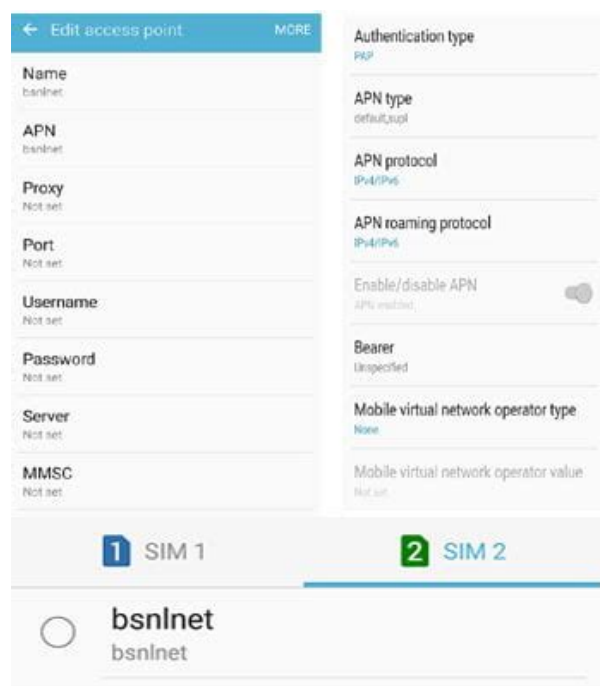
<http://charlescarteronline.com/images/bosch-oven-and-grill-manual.pdf>



Optional Settings China Mobile.Reload to refresh your session. Reload to refresh your session. Let us know how to activate BSNL GPRS Internet by configuring APN Access Point Name settings on Android, Apple Phone iOS or any other Operating System. The SMS Procedure with 58355 is not working now. We have not received any preconfigured APN on our phone. The SMS looks like "PHONE MODEL" to 58355. This article or guide can solve problems like "Not working BSNL Internet" and 4g5G settings on the BSNL SIMs. Activating BSNL GPRS Internet APN Settings Gone are the days phone manufacturers shipped their phones with a variety of Operating Sytems Symbian, Palm, Windows etc. Majority of Smartphones these days are shipped with Apple IOS or Android Stock or Forked. The below procedure to activate BSNL GPRS internet applies to any phone in general. APN Stands for Access Point Name. The APN for BSNL Network is " bsnlnet ". This APN works for SIMS of all states of the country like Andhra Pradesh, Karnataka, Kerala, Telangana, Tamilnadu, Maharashtra, Madhya Pradesh, Uttar Pradesh, New Delhi, Rajasthan, West Bengal and more. A single network operator uses or supports the same APN for all 3G, 4G LTE and 5G

networks. An APN contains Name, APN, Proxy, Port, Username, Password, Server, MMSC, MMS Proxy, MMS Port, MCC, MNC, Authentication type, APN Type, APN Protocol, APN roaming protocol, Bearer, MNVO Type and MNVO Value. Activating Internet on your New BSNL SIM is a twostep process. In the first step, we activate internet on the Server Side by sending an SMS. In the second step, we create an APN or Configuration file on the Phone to access the Internet from BSNL Tower or Server. Procedure to Create a New APN to access BSNL Internet Step 1 Before creating an APN, we need to activate Internet Facility for our New SIM on BSNL Server side by sending an SMS to 1925 in the below format. You will get a confirmation message saying “GPRS is activated on your SIM or Phone” in 1 or 2 hours.

<http://charlottemarquardt.com/images/bosch-on-demand-hot-water-heater-manual.pdf>



START to 1925 Step 2 Now we shall try to create an APN manually. In your Android or Apple IOS phone, go to Access Point Names or APNs option under the corresponding SIM Network Settings First or Second. Type Name as anything you want. Type APN as “bsnlnet”. Click Save. Leave the remaining fields as they are. Creating APN for BSNLNET Step 4 Choose the newly created APN as the default APN by clicking the Radio Button or Checkbox. Step 5 Restart your phone if required to make the new APN settings active. Now you can access GPRS internet on your BSNL SIM. This is how we activate GPRS Internet on our BSNL Prepaid or Postpaid SIM. Bonus The name of Reliance JIO Network’s APN is “jionet”. You can configure the APN right away to access the net. Its time to Share this article with your friends and colleagues to encourage authors. Other interesting and useful articles are below. Notify me of new posts by email. This site uses Akismet to reduce spam. Learn how your comment data is processed. All rights reserved. This website uses cookies to improve your experience. Well assume youre ok with this, but you can optout if you wish. BSNL 4G LTE APN Settings 2020 BSNL 4G LTE APN Settings for Android Go to Settings Connections Mobile networks Access Point Names of your Android. Press Add on right top corner. If Android has already set values for 1 for any fields below leave them. Change the other fields as below. Name 1. APN bsnlnet. Proxy. Port. Username. Password. Server Multimedia message port APN type default,supl. APN roaming protocol IPv4. Bearer Unspecified Restart Android to apply new 1 APN settings. BSNL 4G LTE APN Settings for iOS In your iOS device, select Settings and then Cellular. Check that Cellular Data is turned on. Tap Cellular Data Options and then Cellular Data Network. Go to Cellular

Data and enter information as below APN bsnlnet. Password Go to LTE Setup Optional section and enter information as below APN Leave Blank. Username Leave Blank.

Password Leave Blank Enter the below details in MMS section APN bsnlnet. Password MMS Max Message Size 1048576. MMS UA Prof URL Press the Home button to save the APN and exit to the main screen. Now, restart iOS to apply new 1 APN settings. Select Properties APN bsnlnet. User name. Type of sign in info. IP type IPv4 Enable Use this APN for LTE and replace the one from my mobile operator Proxy port Tap Save Tap Settings, and then tap Network Connections. Tap Mobile Network. Tap APN at the bottom of the screen. Return to home screen. BSNL MMS 4G BSNL MMS 4G APN Settings APN bsnlmms MMSC MMS proxy 10.210.10.11 MMS port 8080 BSNL MMS 4G LTE APN Settings for Android Go to Settings Connections Mobile networks Access Point Names of your Android. If Android has already set values for MMS 3 for any fields below leave them. Change the other fields as below. Name MMS 3. APN bsnlmms. Server Multimedia message port 8080 APN type mms. Bearer Unspecified Restart Android to apply new MMS 3 APN settings. BSNL MMS 4G LTE APN Settings for iOS In your iOS device, select Settings and then Cellular. Go to Cellular Data and enter information as below APN bsnlmms. Password Leave Blank Enter the below details in MMS section APN bsnlmms. Now, restart iOS to apply new MMS 3 APN settings. Select Properties. Under MMS APN select Add an MMS APN Profile name MMS 3. IP Type IPv4. Proxy server 10.210.10.11. Proxy port 8080 Maximum MMS size KB 2048 Tap Save. BSNL MMS 4G LTE APN Settings for BlackBerry Slide your finger left on the display to open the main menu. Open Text Messages. Press the dots. Press Settings and select Text Messages. Select MMS. Press Advanced and enter the following details. Press Add on right top corner. If Android has already set values for bsnllive 1 for any fields below leave them. Name bsnllive 1. APN bsnllive. Bearer Unspecified Restart Android to apply new bsnllive 1 APN settings. Check that Cellular Data is turned on.

<http://www.holzbau-hoelzl.at/wp-content/plugins/formcraft/file-upload/server/content/files/1626c03d0b10f4---canon-gp200s-copier-manual.pdf>

Go to Cellular Data and enter information as below APN bsnllive. Password Leave Blank Enter the below details in MMS section APN bsnllive. Now, restart iOS to apply new bsnllive 1 APN settings. Select Properties APN bsnllive. Type of sign in info None. Return to home screen. Press Add on right top corner. If Android has already set values for bsnlnet 1 for any fields below leave them. Name bsnlnet 1. Bearer Unspecified Restart Android to apply new bsnlnet 1 APN settings. Check that Cellular Data is turned on. Now, restart iOS to apply new bsnlnet 1 APN settings. Type of sign in info PAP. If Android has already set values for bsnlmms 3 for any fields below leave them. Name bsnlmms 3. Bearer Unspecified Restart Android to apply new bsnlmms 3 APN settings. Check that Cellular Data is turned on. Now, restart iOS to apply new bsnlmms 3 APN settings. Under MMS APN select Add an MMS APN Profile name bsnlmms 3. Proxy port 8080 Maximum MMS size KB 2048 Tap Save. Open Text Messages. Select MMS. Press Advanced and enter the following details. BSNL 3G 4G BSNL 3G 4G APN Settings APN bsnlnet BSNL 3G 4G LTE APN Settings for Android Go to Settings Connections Mobile networks Access Point Names of your Android. If Android has already set values for BSNL 3G 1 for any fields below leave them. Name BSNL 3G 1. Password Multimedia message port APN type. Bearer Unspecified Restart Android to apply new BSNL 3G 1 APN settings. BSNL 3G 4G LTE APN Settings for iOS In your iOS device, select Settings and then Cellular. Now, restart iOS to apply new BSNL 3G 1 APN settings. XXX stands for individual keyword for corresponding settings. XXX APN BSNL bsnlnet, bsnllive, bsnlstream, bsnlmms LIVE bsnllive TV bsnlstream NET bsnlnet MMS bsnlmms Selected settings corresponding to the handset will be pushed to the handset. Customer has to save the settings in the handset. "bsnllive" should preferably be made default setting in the handset. Settings from Website The settings are also available at website [www](http://www.bawaniint.com).

[BAWANIINT.COM/ckfinder/userfiles/files/737-700-manual.pdf](http://www.bawaniint.com/ckfinder/userfiles/files/737-700-manual.pdf)

cellone.in for downloading to the handsets by the customers. Customer can go to that internet website from the computer and give the mobile number and select the handset. The selected settings will be sent to the handset. These are to be saved. Manual configuration of Settings The settings corresponding to the handset may be manually set in the handset. The details of Manual settings are given below and are also available in the website www.cellone.in. Settings from Call centre The settings may also be received from the call centre by dialing 1503. Customers are pushed or guided by them for settings.

5. Setting on TSD “bsnllive” and “bsnlstream” settings will be sent automatically when a new customer inserts the SIM to the handset for the first time or changes the handset.

Setting Type	GPRS	Internet	GPRS	MMS	GPRS	WAP	GPRS	STREAM	Connection Name
	BSNLNET	BSNLMMS	BSNLLIVE	BSNLSTREAM	Data Bearer	GPRS	GPRS	GPRS	GPRS
Access Point Name	bsnlnet	bsnlmms	bsnllive	bsnlstream	User Name	Nil	Nil	Nil	Nil
Prompt	Password	No	No	No	No	Password	Nil	Nil	Nil
Authentication	Normal	Normal	Normal	Normal	Homepage	cellone.in	bsnlmmsc.in	8514	bsnllive.in
Phone IP Address	Automatic	Automatic	Automatic	Automatic	Name Server	Automatic	Automatic	Automatic	Automatic
Proxy Serv. Address	off	10.210.10.11	10.220.67.131	off	Proxy Port Number	8080	8080	BSNL	Gprs

Settings for Blackberry Handsets
“blackberry.net” is the default APN for Web browsing in Blackberry handsets. Settings for blackberry subscribers is pushed by the Service Provider RIM as BSNL LIVE, BSNL MMS and BSNL Stream service books and gets automatically saved in the handsets. Dial Blackberry Call centre at 1505 Toll Free to get more details.

Uninor Launches Magical Special Recharge Voucher At Rs 101 Now Transfer Money To Any Bank via Mobile Phone in India FACEBOOK TWITTER LINKEDIN WHATSAPP 75 COMMENTS Read more on BSNL BSNL 2G gprs settings BSNL 3G gprs settings bsnl 3G settings bsnl gprs settings bsnl stream Reported By Sanjay Posted in Reliance Jio No Longer Offering Unlimited JioTunes Subscription via JioSaavn TRENDING TOPICS They need something faster and that is why they rely on. Related Posts. You can get these settings on your mobile in one of the following ways. Login using your mobile number as 91XXXXXXXXXX replace xxxx. Just save and install the settings. 9 Go to from your mobile and browse BSNLLive. You should see “3G” written somewhere on your phone screen if it is connected to 3G network. You are required to specify following APN for BSNL 3G settings gprsnorth3g.bsnlmobile.in In most of the case, you will not get less than 500 kbps speed. That is pretty good as compared to current mobile internet option we have in India. You can get these settings on your mobile in one of the following ways. Login using your mobile number as 91XXXXXXXXXX replace xxxx. Just save and install the settings. 9 Go to from your mobile and browse BSNLLive. I’ve been looking for a plugin like this for quite some time and was hoping maybe you would have some experience with something like this. Please let me know if you run into anything. I truly enjoy reading your blog and I look forward to your new updates. On opening I get the message “parsing failed unable to read message”. I’m bookmrking and ill be tweeting this to my followers. Terrific blog and fantastic style and design. Notify me of new posts via email.

The ArcelorMittal Orbit is a 115 metres 377 ft high observation tower in the Olympic Park in Stratford, London Headline Asia Asia Market News and Trading Resource Wild Onion Adventures of a fiber artist generate web traffics Blog best ways to generate web traffic Musings from the Chiefio Techno bits and mind pleasers Matt on NotWordPress, mostly photos Stuff and things. The Baggage Handler I made the impossible easy in both worlds. Tallblokes Talkshop Cutting edge science you can dice with To find out more, including how to control cookies, see here. But difficulties were faced by many to connect to the Internet. Even the settings that were downloaded from BSNL site failed the phone to connect to the Internet. The following is the actual working settings on a Nokia3650 phone so that it would connect through GPRS. Modify the remaining options if needed. The following settings are for a Windows XP computer. Click on Hardware tab and then on Device Manager button. Click on Advanced tab. Please note that the “bsnlsouth” mentioned above is the access point name in your GPRS connection settings of your phone. or gprssouth.cellone.in. In the

New Connection Wizard that comes up, follow these steps Uncheck the check boxes if needed and click Next. It will dial and connect the computer to the internet!!! Policies and guidelines Contact us By using this site, you agree to the Terms of Use and Privacy Policy. Much like other service providers in India you can also send an SMS GPRS to 53733 and the settings will be sent to you. You can also see how to add these settings to your Nokia phone here. The areas covered are available in See more pages and content about Thai embassies from around the world. From Canada to Nepal all Thai embassies have been listed here. See the other websites listed on the sidebar for US, Canadian and British embassies. If you continue to use this site we will assume that you are happy with it. Ok.

Perhaps you can return back to the homepage and see if you can find what you are looking for. Or, you can try finding it by using the search form below. This configuration details can be used for Nokia, Samsung, LG and all other mobile phones. Scroll to Services and press Select. 2. Press the Options button on the lefthand side and scroll down to Settings and press Select. 3. Under the Default access point, press Options, select Change. Press Options and scroll down to select New access point Use default settings. 4. Key in the following Connection Name bsnlwap Data bearer Choose GPRS Access point name bsnlwap User name nil Prompt password No Password nil Authentication Normal Homepage Press the Options button and go to Advanced settings 5. Under the Advanced settings, key in the following Phone IP address Automatic Do not key in anything for Primary name server, Second name server Proxy serv. Address 10.220.67.131 Proxy port number 8080 6. To launch homepage, make sure that bsnlwap has been selected as the default access point. Go to Services, select bsnlwap, press the Options button and select Download. You can start using bsnlwap. Scroll to Services and press Select. 2. Press the Options button on the lefthand side and scroll down to Settings and press Select. 3. Under the Default access point, press Options, select Change. Press Options and scroll down to select New access point Use default settings. 4. Key in the following Connection Name bsnlnet Data bearer Choose GPRS Access point name bsnlnet User name nil Prompt password No Password nil Authentication Normal Homepage what ever you like google etc. Press the Options button and go to Advanced settings 5. Under the Advanced settings, key in the following Phone IP address Automatic Do not key in anything for Primary name server, Second name server Proxy serv. Address none Proxy port number 0 6. To launch homepage, make sure that bsnlnet has been selected as the default access point.

Go to Services, select bsnlnet press the Options button and select Download. You can start using bsnlnet Scroll to Services and press Select. 2. Press the Options button on the lefthand side and scroll down to Settings and press Select. 3. Under the Default access point, press Options, select Change. Address 10.220.67.131 Proxy port number 8080 6. To launch homepage, make sure that bsnlportal has been selected as the default access point. You can start using BSNL PORTAL. Send message to B number or email. Apart from BSNL, only MTNL is the one providing the 3G service right now. Then you have to set the access point for the BSNL 3G service, just like the GPRS accounts for any network carrier. BSNL has various Access point names for its different services, and with different locations around the country. Not just using the mobile phone as a modem to connect with the laptop but the netbooks which as the SIM card slot, can use the BSNL 3G SIM for the service. He has been blogging since 4 years, and has been always fascinated with the gadgets, the beauty of Android OS and the Apple gadget designs.

<http://www.drupalitalia.org/node/69998>